

auto electrical parts

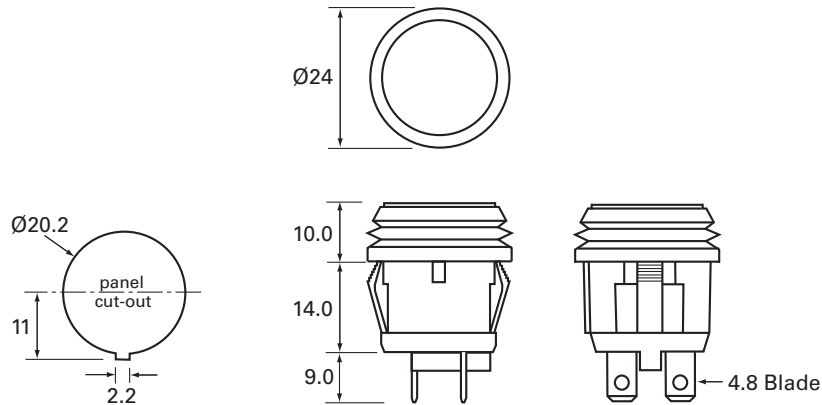
Technical Information Sheet

Part No. 0-690-51

On/off, push-push single pole switch, 12/24 volt, with 4.8mm blade terminals. Snap fits into 20mm diameter panel hole. 20 amp at 12 volts DC rating and 10 amp at 24volts DC Rating.



Technical Drawing (not to scale)



Specification

Type	Single pole 2 position on/off push-type switch
DC current rating	10 amps at 24V and 20 amps at 12V
Terminals	4.8mm lucar blade
Temperature range	-20°C to 85°C
Contact resistance	≥50mΩ
Electric strength	500vdc/1000vac
Insulation resistance	≤100MΩ
Material	Nylon
Panel cut-out	20mm
Panel depth	0.7 to 3.0mm
Protection	IP56
Weight	10g
Dimensions	Ø24 x h 33mm (including terminals)

The information contained in this document is correct to the best of our knowledge at the time of printing. However, specifications may change at any time without notice.